

Thank you for selecting this Yamaha SPM-10TV speaker mounting brackets. This model is designed specially for use with Yamaha NS-10MM speaker system.

### ■ PRECAUTIONS

Read the following precautions carefully before mounting your NS-10MM using these brackets.

- Do not use these brackets for mounting speakers other than NS-10MM.
- Mount these brackets on a TV rack etc. firmly by using commercially available wood screws. Mount the brackets properly and securely by following this manual. If the brackets are mounted improperly, they may fall down and you may be injured.
- Use commercially available wood screws which is proper for using on the board of TV rack. If you use a wood screw which is longer than the thickness of board and it is tightened through the board, you may injure yourself in the hand when you insert a hand into the TV rack.
- If your TV is a revolving type, mount the speakers and the brackets so that they will not touch the TV when the TV is revolved.
- Make sure to place these brackets on a flat surface. If placed on an uneven surface, they may fall down and you may be injured.
- To avoid accidents resulting from tripping over loose speaker cables, fix them to the wall.
- Do not attempt to clean the brackets with chemical solvents as this might damage the finish. To clean, wipe with a dry, soft cloth.
- To prevent the brackets from discoloring or being corroded, do not place the brackets where they will be exposed to direct sunlight or excessive humidity.
- **Secure placement or installation is the owner's responsibility. YAMAHA shall not be liable for any accident caused by improper placement or installation of the brackets.**

### ■ ACCESSORIES

Pad A x 4  
(VV777700)



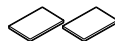
Pad B x 1  
(VV777800)



Hexagonal wrench x 1  
(VV778000)



Two-sided tape x 2  
(VV876500)



Bolt (diam. 4 mm) x 4  
(VB514900)



Washer (diam. 4 mm) x 4  
(ET500040, black)



Logo plate x 2  
(VV777900)



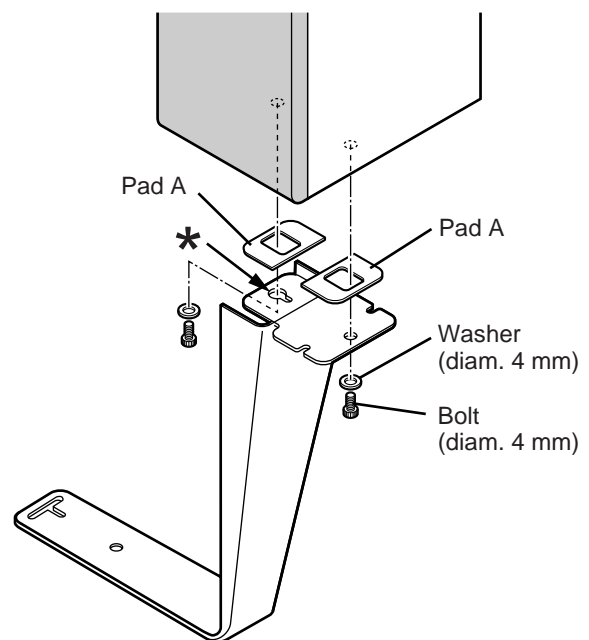
### ■ MOUNTING SPEAKERS

#### Notes

- Mount the speaker to the bracket so that the speaker faces the front as figured below.
- Make mounting by using the provided bolts and washers. For tightening bolts, use the provided hexagonal wrench.

#### Procedure

1. Put the provided pads A on the bracket as figured below. (Put the pad A carefully. Putting and removing the pad repeatedly may tear it off.)
2. Before mounting the speaker to the bracket, insert a bolt and a washer into the hole on the bottom of the speaker which is closer to the TV, and tighten the bolt to about 80%.
3. Pass the head of the bolt tightened on the speaker through the hole (marked \* on the figure above) on the bracket, and slide the head of the bolt to the narrow part of the hole.
4. Mount the speaker to the bracket by inserting a bolt and a washer into the other hole as figured below.
5. Tighten both bolts fully.



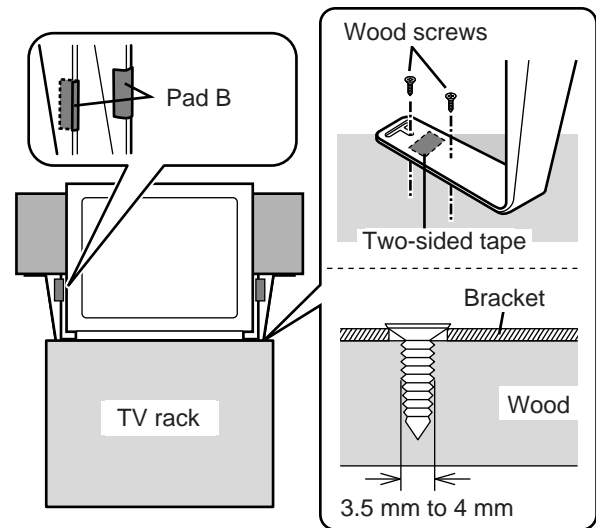
(Right side)

## ■ PLACING THE BRACKETS

1. Put the provided pads B to parts of the bracket or the speaker where the TV touches as figured right. (This can prevent sound from vibrating.)
2. Put the provided two-sided tape\*<sup>1</sup> on the bottom surface of the bracket as figured right.
3. Place the bracket on the TV rack and press it down to fix it on the TV rack with the two-sided tape temporarily.
4. Fix the bracket on the TV rack firmly by using wood screws\*<sup>2</sup>, and then place the TV on it.
5. Remove the paper on the reverse side of the provided logo plate, and put the plate on any desired part of the bracket.

\*<sup>1</sup> : If you remove the two-sided tape put on the TV rack, remove it carefully so that the dressed outer layer of the rack is not peeled off or a mark from the tape is not left on the rack.

\*<sup>2</sup> : Wood screws are not provided. Use commercially available wood screws with a diameter of 3.5 mm to 4 mm.



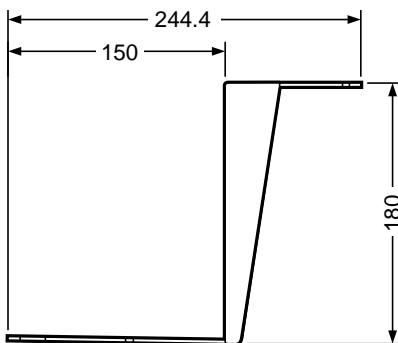
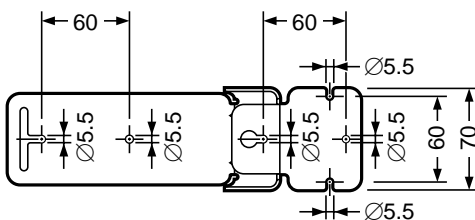
### Note

Do not mount the brackets on a TV rack whose board is thin or hollow. If wood screws are used on such a board, sufficient stability and security will not be obtained.

## ■ DIMENSIONS

Top

Unit: mm



Front



Side

## ■ SPECIFICATIONS

Dimensions (W x H x D) ..... 244.4 x 180 x 70 mm  
(9-5/8" x 7-1/16" x 2-3/4")

Weight ..... 0.5 kg/pc. (1 lbs. 2 oz.)